

# IDROMAT 3-4

Electronic regulator for pumps



## Construction

Regulation device for pump control equipped with flow and pressure sensor connected to an electronic system. Inlet and delivery connection ports of the same diameter (G1). Built-in check valve. Pressure gauge 0-10 bar supplied as standard for all the models. Automatic reset function in IDROMAT4 for the reset of the system without manual operation.

## Applications

Automatic control of pumps for water supply and increase of network pressure.

**Control of starting/stopping of the pump** when cocks are opened/closed.

### For protection of the pump:

- against dry running;
- against the risk of operation without water at the inlet (caused by a lack of water inflow in the inlet pipe under positive suction head, by a non-immersed suction pipe, by excessive suctionlift or by air entering the suction pipe);
- against operation with closed connection ports.

## Operating conditions

TYPE	Switching-on pressure	Pump head
<b>IDROMAT 3-30</b>	3,0 bar	> 40 m
<b>IDROMAT 4</b>	adjustable from 1,5 to 2,5 bar	(1)

(1) 1,5 bar more than the expected restart pressure

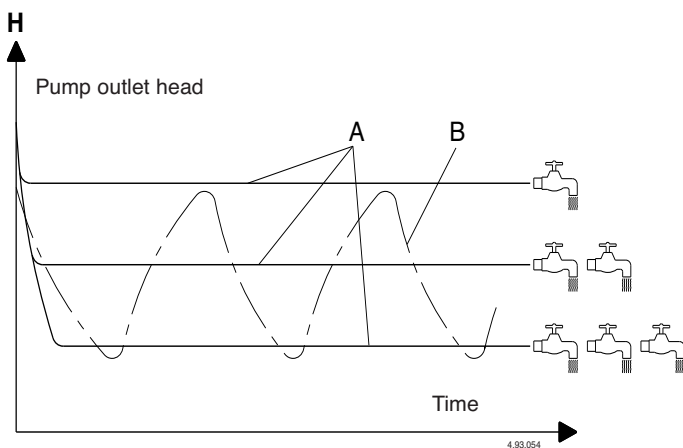
For pumps with delivery up to 10 m<sup>3</sup>/h.  
 Maximum working pressure: 10 bar.  
 Liquid temperature up to 60 °C.  
 Mains voltage: 230 V ±10%, single-phase.  
 Frequency: 50 - 60 Hz.  
 Protection: IP 65.  
 Current values:

- 8A max during operation (16A max at start-up) for IDROMAT 3;
- 16A max during operation (30A max at start-up) for IDROMAT 4

## Materials

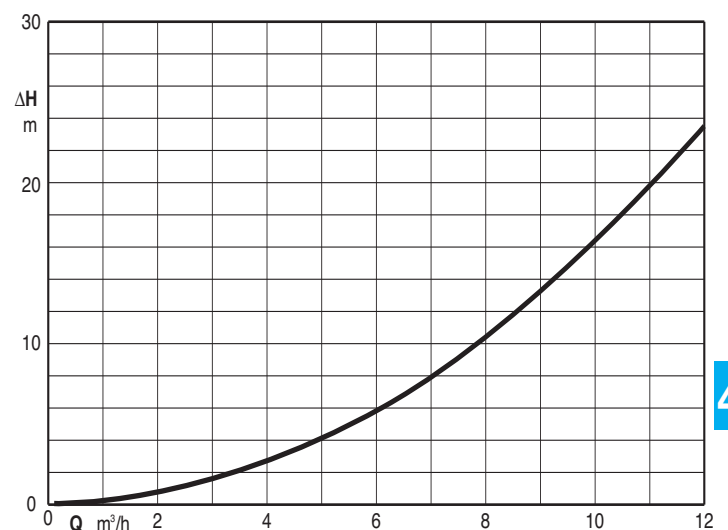
Component	<b>IDROMAT 3-4</b>
Housing	Polyamide PA 6 G.F. reinforced
Membrane	Natural rubber

## Comparison of pressure values



A = operation with **IDROMAT** = constant pressure;  
 B = operation with traditional vessel and pressure switch system.

## Diagram of head loss



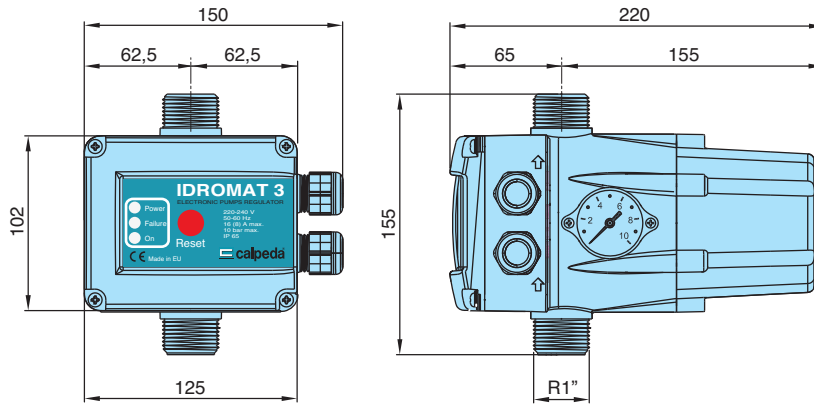
ΔH = Head loss in meters

## Dimensions and weights

### Weights

IDROMAT 3 kg 1,17

IDROMAT 4 kg 1,35



## Installation example

